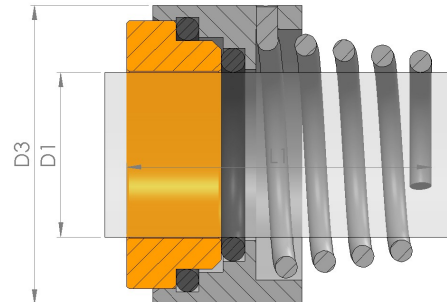


## Afmetingen

De Qseals QCS05 is beschikbaar met ten minste 31 verschillende asmaten:

| D1     | D3     | L1    | Eenheid |
|--------|--------|-------|---------|
| 12.00  | 21.00  | 18.00 | mm      |
| 14.00  | 23.00  | 22.00 | mm      |
| 16.00  | 26.00  | 23.00 | mm      |
| 18.00  | 29.00  | 24.00 | mm      |
| 20.00  | 31.00  | 25.00 | mm      |
| 22.00  | 33.00  | 25.00 | mm      |
| 24.00  | 35.00  | 27.00 | mm      |
| 28.00  | 40.00  | 29.00 | mm      |
| 30.00  | 43.00  | 30.00 | mm      |
| 32.00  | 46.00  | 30.00 | mm      |
| 33.00  | 46.00  | 39.00 | mm      |
| 35.00  | 36.00  | 27.00 | mm      |
| 35.00  | 49.00  | 39.00 | mm      |
| 38.00  | 53.00  | 42.00 | mm      |
| 40.00  | 56.00  | 42.00 | mm      |
| 43.00  | 59.00  | 47.00 | mm      |
| 45.00  | 61.00  | 47.00 | mm      |
| 50.00  | 66.00  | 46.00 | mm      |
| 55.00  | 71.00  | 56.00 | mm      |
| 58.00  | 76.00  | 56.00 | mm      |
| 60.00  | 78.00  | 56.00 | mm      |
| 63.00  | 81.00  | 56.00 | mm      |
| 65.00  | 84.00  | 66.00 | mm      |
| 68.00  | 88.00  | 64.00 | mm      |
| 70.00  | 89.60  | 64.00 | mm      |
| 75.00  | 98.00  | 64.00 | mm      |
| 80.00  | 100.00 | 72.00 | mm      |
| 85.00  | 107.50 | 72.00 | mm      |
| 90.00  | 111.00 | 72.00 | mm      |
| 95.00  | 119.00 | 72.00 | mm      |
| 100.00 | 123.80 | 72.00 | mm      |



## Technische specificaties

|                 |                |
|-----------------|----------------|
| Temperatuur     | -20 tot 200 °C |
| Druk            | 10 bar         |
| Rotatiesnelheid | 20 m/s         |
| Linksdraaiend   | Ja             |
| Rechtsdraaiend  | Ja             |
| Gebalanceerd    | Nee            |

## Roterende loopvlakken

De Qseals QCS05 is beschikbaar met ten minste 3 verschillende roterende loopvlak materialen:

- Ceramic (CER)
- Silicon carbide (SIC)
- Tungsten carbide (TC)

## Elastomeren

De Qseals QCS05 is beschikbaar met ten minste 8 verschillende elastomeren:

- Aflas (AFL)
- EPDM (EPDM)
- FEP Viton/Silicone (FEP)
- Kalrez (KAL)
- Nitrile (NIT)
- PTFE (PTFE)
- Silicone (SIL)
- Viton (VIT)

## Alternatieven

De Qseals QCS05 is een alternatief voor ten minste 4 producten van andere merken:

- AES T06D
- Burgmann BT-FH
- Roten 5
- Vulcan 7D